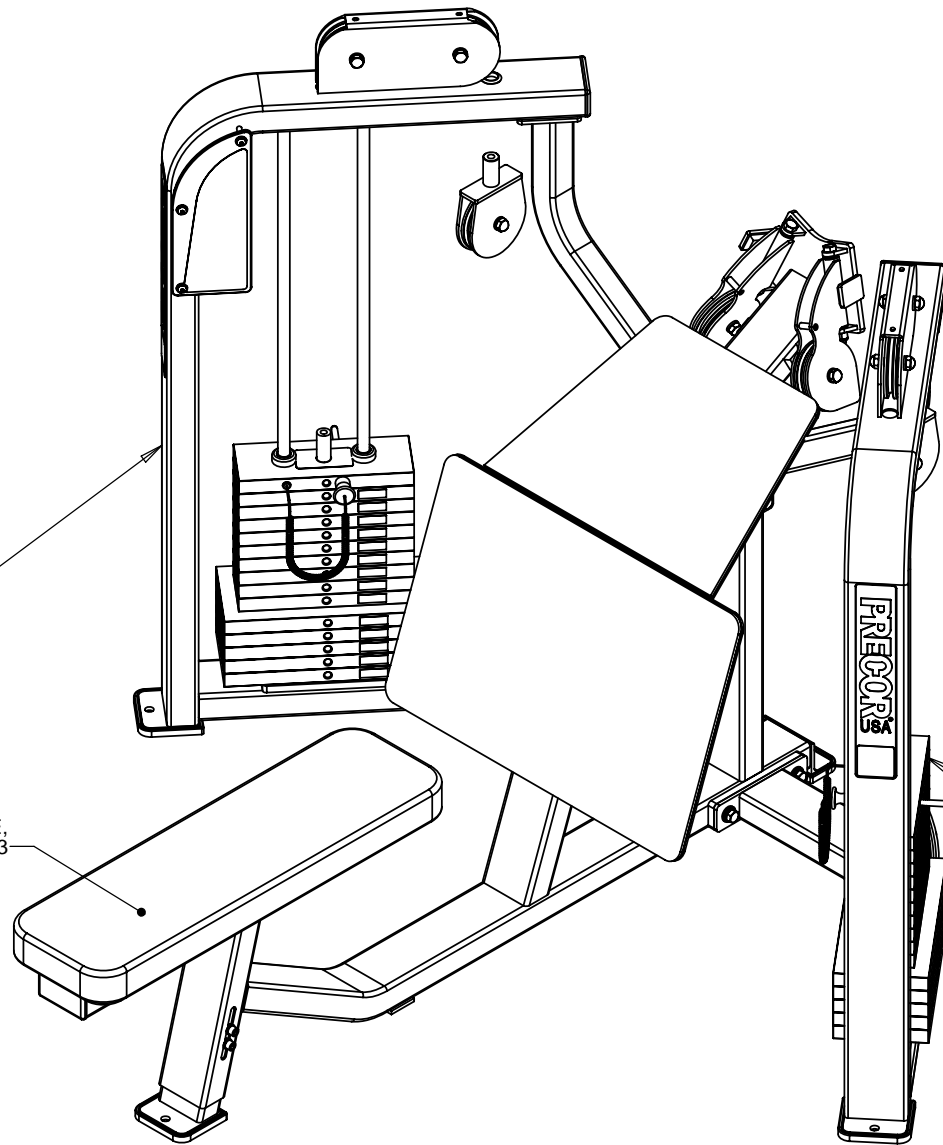


FRAME/HARDWARE,
SHEET 2

SEAT PAD/HARDWARE,
SHEET 3

WEIGHTS/GUIDE RODS,
SHEET 4



FT332

P/N : CW31294-101

SUBREV : B

DRAWN BY : CT

DATE : 12.12.05

SHEET 1 OF 4

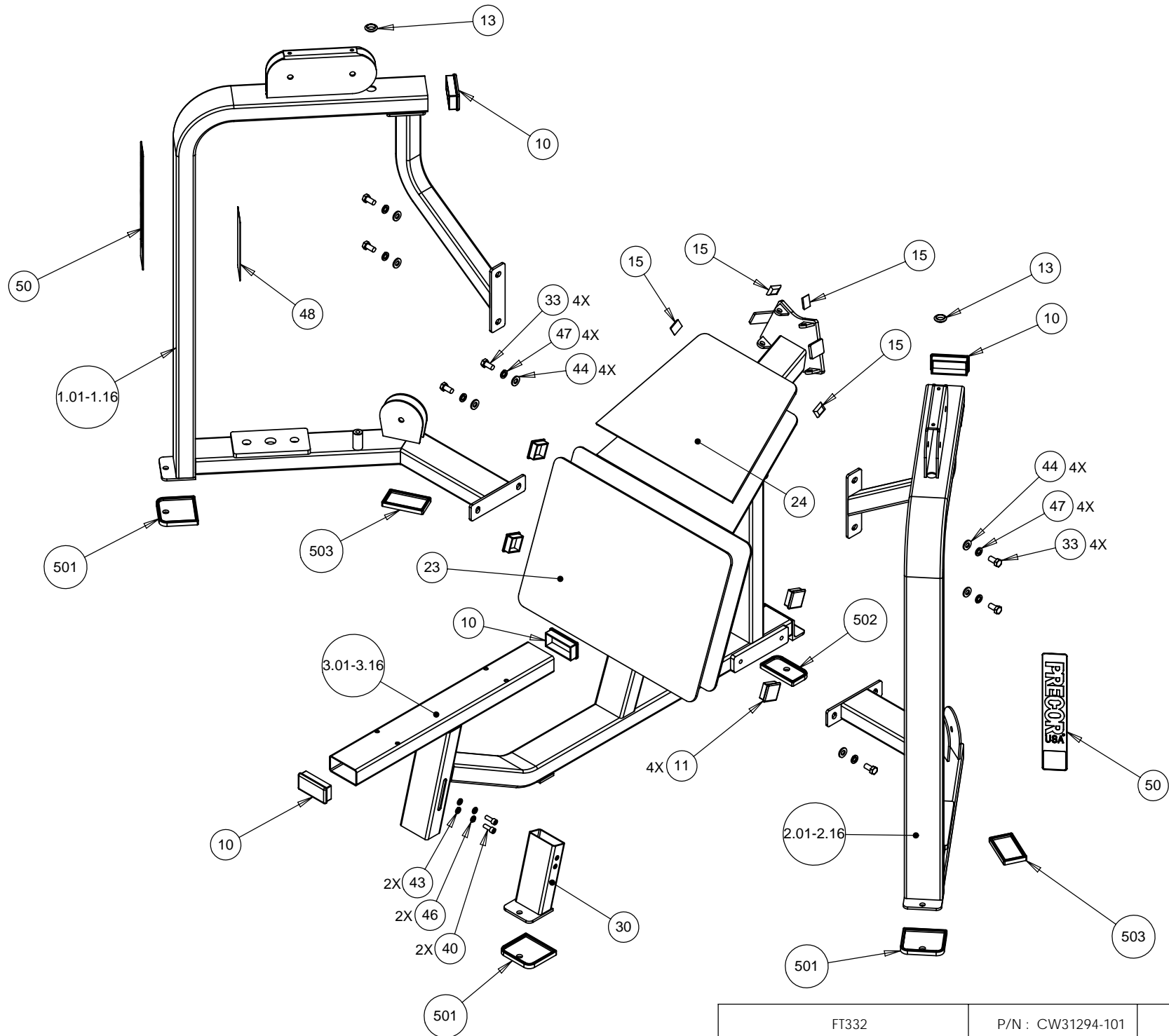
FT332 Functional Trainer, Row

Part Number	Description	Bubble Number
CWFT332SA1-211	ASSY,FRAME,WEIGHT STK,LT,SKY WHITE	1.01
CWFT332SA1-221	ASSY,FRAME,WEIGHT STK,LT,BLACK	1.02
CWFT332SA1-231	ASSY,FRAME,WEIGHT STK,LT,RED	1.03
CWFT332SA1-241	ASSY,FRAME,WEIGHT STK,LT,PLT SPRKL	1.04
CWFT332SA1-251	ASSY,FRAME,WEIGHT STK,LT,SILVER	1.05
CWFT332SA1-261	ASSY,FRAME,WEIGHT STK,LT,BLUE	1.06
CWFT332SA1-271	ASSY,FRAME,WEIGHT STK,LT,CHARCOAL	1.07
CWFT332SA1-281	ASSY,FRAME,WEIGHT STK,LT,CATH GRAY	1.08
CWFT332SA1-291	ASSY,FRAME,WEIGHT STK,LT,SLVR VIEN	1.09
CWFT332SA1-311	ASSY,FRAME,WEIGHT STK,LEFT,STONE HG	1.11
CWFT332SA1-321	ASSY,FRAME,WGHT STK,LT,TITANIUM HG	1.12
CWFT332SA1-331	ASSY,FRAME,WEIGHT STK,LT,WHT GLOSS	1.13
CWFT332SA1-341	ASSY,FRAME,WEIGHT STK,LT,BLK ONYX	1.14
CWFT332SA1-351	ASSY,FRAME,WEIGHT STK,LT,LT. BRONZ	1.15
CWFT332SA1-361	ASSY,FRAME,WEIGHT STK,LT,SAPPHR BL	1.16
CWFT332SA2-211	ASSY,FRAME,WEIGHT STK,RT,SKY WHITE	2.01
CWFT332SA2-221	ASSY,FRAME,WEIGHT STK,RT,BLACK	2.02
CWFT332SA2-231	ASSY,FRAME,WEIGHT STK,RT,RED	2.03
CWFT332SA2-241	ASSY,FRAME,WEIGHT STK,RT,PLT SPRKL	2.04
CWFT332SA2-251	ASSY,FRAME,WEIGHT STK,RT,SILVER	2.05
CWFT332SA2-261	ASSY,FRAME,WEIGHT STK,RT,BLUE	2.06
CWFT332SA2-271	ASSY,FRAME,WEIGHT STK,RT,CHARCOAL	2.07
CWFT332SA2-281	ASSY,FRAME,WEIGHT STK,RT,CATH GRAY	2.08
CWFT332SA2-291	ASSY,FRAME,WEIGHT STK,RT,SLVR VIEN	2.09
CWFT332SA2-311	ASSY,FRAME,WEIGHT STK,RIGHT,STONE H	2.11
CWFT332SA2-321	ASSY,FRAME,WGHT STK,RT,TITANIUM HG	2.12
CWFT332SA2-331	ASSY,FRAME,WEIGHT STK,RT,WHT GLOSS	2.13
CWFT332SA2-341	ASSY,FRAME,WEIGHT STK,RT,BLK ONYX	2.14
CWFT332SA2-351	ASSY,FRAME,WEIGHT STK,RT,LT. BRONZ	2.15
CWFT332SA2-361	ASSY,FRAME,WEIGHT STK,RT,SAPPHR BL	2.16
CWFT332SA3-211	ASSY,SEAT FT-LOW ROW,SKY WHITE	3.01
CWFT332SA3-221	ASSY,SEAT FT-LOW ROW,BLACK	3.02
CWFT332SA3-231	ASSY,SEAT FT-LOW ROW,RED	3.03
CWFT332SA3-241	ASSY,SEAT FT-LOW ROW,PLATINUM SPRKL	3.04
CWFT332SA3-251	ASSY,SEAT FT-LOW ROW,SILVER	3.05
CWFT332SA3-261	ASSY,SEAT FT-LOW ROW,BLUE	3.06
CWFT332SA3-271	ASSY,SEAT FT-LOW ROW,CHARCOAL	3.07
CWFT332SA3-281	ASSY,SEAT FT-LOW ROW,CATHEDRAL GREY	3.08
CWFT332SA3-291	ASSY,SEAT FT-LOW ROW,SILVER VIEN	3.09
CWFT332SA3-311	ASSY,SEAT FT-LOW ROW,STONE HG	3.11
CWFT332SA3-321	ASSY,SEAT FT-LOW ROW,TITANIUM HG	3.12
CWFT332SA3-331	ASSY,SEAT FT-LOW ROW,WHITE GLOSS	3.13
CWFT332SA3-341	ASSY,SEAT FT-LOW ROW,BLACK ONYX	3.14
CWFT332SA3-351	ASSY,SEAT FT-LOW ROW,LIGHT BRONZE	3.15
CWFT332SA3-361	ASSY,SEAT FT-LOW ROW,SAPPHIRE BLUE	3.16
CWAC1009-101	PULLEY, 4 1/2 DIA. X 1/2 ID	7
CW12404-101	CAP, GUIDE ROD,DIA 3/4, BLK	9
CW11311-102	ENDCAP, REC TUBE, 2X4, BLK PLASTIC	10
CW11311-103	ENDCAP, REC TUBE, 2X2, BLK PLASTIC	11

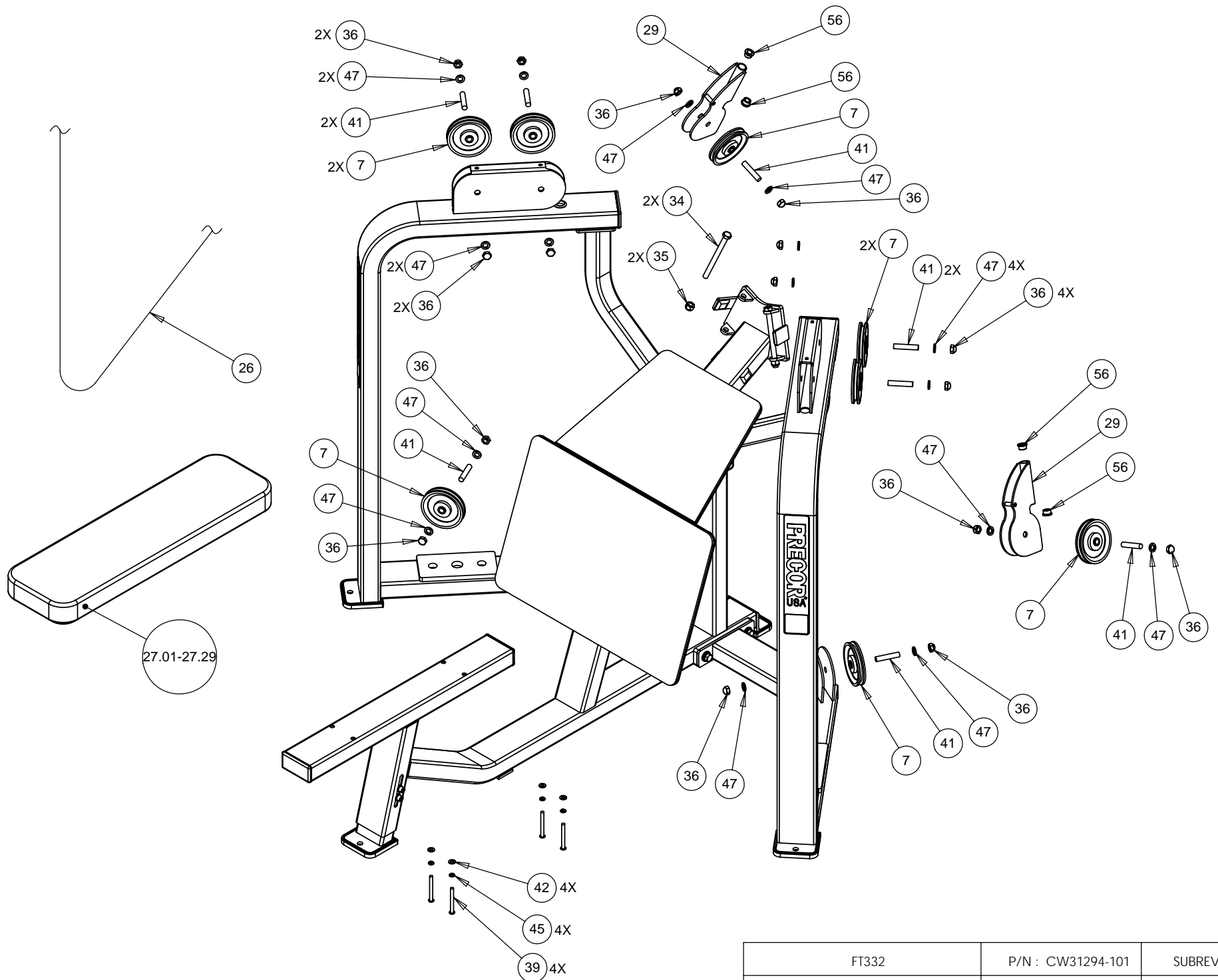
CW12626-101	GROMMET, HOLE, FLEXTMP, OD 1.04, I	13
CW12402-101	BUMPER, WEIGHT STACK, BLK RUBBER	14
CW12575-101	MOULDED BUMPON, BLACK, 31.75MM SQ (15
CWAC1228-901	SPACER, ALU, .328 ID X .625 OD X .25	19
CW12589-741	CARBINE, HOOK, MEDIUM, 5/16" DIA, 3	20
CW30898-101	HANDLE, WEBBING 27.5", D-RING (2X)	21
CWPF1212-711	GUIDE ROD, 3/4 X 42 5/8 (#4), CHM	22
CW30013-126	CUT PIECE, CREPE, 1/4 X 17 X 26	23
CW30013-124	CUT PIECE, CREPE, 1/4 X 14 1/2 X 20	24
CWCLGG051-500	ASSY, CABLE, FT332, FT334, FT555	25
CWCLRT113-000	ASSY, CABLE, FT332	26
CWPD1103A-101	PAD,FLAT,9X31,4HOLES,BLACK	27.01
CWPD1103A-102	PAD,FLAT,9X31,4HOLES,RYL BL	27.02
CWPD1103A-103	PAD,FLAT,9X31,4HOLES,DVE GRY	27.03
CWPD1103A-104	PAD,FLAT,9X31,4HOLES,CROCUS	27.04
CWPD1103A-105	PAD,FLAT,9X31,4HOLES,GROTTO	27.05
CWPD1103A-106	PAD,FLAT,9X31,4HOLES,GRAPHITE	27.06
CWPD1103A-107	PAD,FLAT,9X31,4HOLES,RED	27.07
CWPD1103A-108	PAD,FLAT,9X31,4HOLES,CHN GRN	27.08
CWPD1103A-109	PAD,FLAT,9X31,4HOLES,TURQSE	27.09
CWPD1103A-110	PAD,FLAT,9X31,4HOLES,RASP	27.1
CWPD1103A-111	PAD,FLAT,9X31,4HOLES,PLUM	27.11
CWPD1103A-112	PAD,FLAT,9X31,4HOLES,REGIMENT	27.12
CWPD1103A-113	PAD,FLAT,9X31,4HOLES,SPC BLUE	27.13
CWPD1103A-115	PAD,FLAT,9X31,4HOLES,BLK LTHR	27.15
CWPD1103A-116	PAD,FLAT,9X31,4HOLES,NVBL LTH	27.16
CWPD1103A-117	PAD,FLAT,9X31,4HOLES,PUTTY	27.17
CWPD1103A-118	PAD,FLAT,9X31,4HOLES,IMPRL BL	27.18
CWPD1103A-119	PAD,FLAT,9X31,4HOLES,YEW GREEN	27.19
CWPD1103A-120	PAD,FLAT,9X31,4HOLES,DSTY JADE	27.2
CWPD1103A-121	PAD,FLAT,9X31,4HLS,TRRA CTTA	27.21
CWPD1103A-122	PAD,FLAT,9X31,4HOLES,PAPRIKA	27.22
CWPD1103A-123	PAD,FLAT,9X31,4HLS,ASH LTHR	27.23
CWPD1103A-124	PAD,FLAT,9X31,4HL,CERULEAN LTH	27.24
CWPD1103A-125	PAD,FLAT,9X31,4HL,CHARCOAL LTH	27.25
CWPD1103A-126	PAD,FLAT,9X31,4HLS,HUNTER LTHR	27.26
CWPD1103A-127	PAD,FLAT,9X31,4HLS,MOSS LTHR	27.27
CWPD1103A-128	PAD,FLAT,9X31,4HLS,SPICE LTHR	27.28
CWPD1103A-129	PAD,FLAT,9X31,4HLS,TOMATO LTHR	27.29
CWPF1016-731	BAR,,FLAT CR/HR, 3/8 X 2 X 8 1/4, 3	28
CW31303-721	ASSY, PIVOTING PULLEY HOUSING, WRKL	29
CWSA1117-731	ASSY,ADJ. LEVELING FOOT,BLK ZINC	30
CW31214-721	ASSY,FLOATING PULLEY HOUSING,	31
CWHCYN050-100	SCREW,HEX HEAD,BLK XYLAN,1/2-13 X 1	33
CWHCCN050-600	SCREW, HEX HEAD, ZINC, 1/2-13 X 6	34
CWKDYN050-059	LOCKNUT, NYLON INSERT, FULL, UNC, 1	35
CWKADLN050-081	NUT, ACORN, 1/2-13	36
CW12537-109	NUT,INSERT,THIN-NUT,LARGE FLANGE	37
CWTAYN031-150	SCREW, BUTTON HEAD, BLK XYLAN,5/16	38
CWTAYN031-300	SCREW, BUTTON HEAD, BLK XYLAN,5/16	39
CWCAYN038-100	SCREW, SOCKET HEAD, BLK XYLAN, 3/	40

CWBFNN050-250	STUD, 1/2-13 X 2 1/2	41
CWWBKN031-007	WASHER, FLAT, TYPE A, SAE, 5/16 ID	42
CWWBKN038-007	WASHER, FLAT, TYPE A, SAE, 3/8 ID	43
CWWBKN050-010	WASHER, FLAT, TYPE A, SAE, 1/2 ID X	44
CWWALYN031-008	WASHER, SPLIT, 5/16 ID, BL	45
CWWALYN038-009	WASHER, SPLIT, 3/8 ID, BLK XYLAN	46
CWWALYN050-013	WASHER, SPLIT, 1/2 ID, BLK XYLAN	47
CW30010-101	LABEL,WARNING STRENGTH	48
CW30157-101	ASSY, LABEL,INSTRUCTION,FT332	49
CW31756-101	LABEL, PRECOR USA ICARIAN LINE	50
CW10043-132	BUSHING, BRONZE, 1/2" ID X 3/4" OD	56
CW10510-721	ASSY, PLATE, WEIGHT, 10 LBS, WRKL B	201
CW10520-721	ASSY, PLATE, WEIGHT, 20 LBS, WRKL B	202
CWAC1133-101	BUSHING, WEIGHT PLATE, LDPE PLASTIC	203
CW30173-751	ASSY, 6.00 IN WEIGHT STACK PIN AND	228
CWLDNN038-200	PIN, ROLL, DIA 3/8 X 2	250
CW30184-901	ASSY,BARREL, TOP PLATE,ALUMINUM	251
CW10550-721	PLATE, WEIGHT, MED TOP (MTP-S), 10	283
CW10550-722	PLATE, WEIGHT, MED TOP (MTP-S), 10	283
CW30130-711	SELECTOR STEM, 15 PLATE,0 .875 DIA,	304
CW30011-101	LABEL,WARNING WEIGHT STACK	311
CW12401-102	LABEL, WEIGHT PLATE, 10 LBS/ 4.6 KG	315
CW12401-104	LABEL, WEIGHT PLATE, 15 LBS/ 6.8 KG	317
CW12401-106	LABEL, WEIGHT PLATE, 20 LBS/ 8 KG	319
CW12401-108	LABEL, WEIGHT PLATE, 25 LBS/ 11.4 K	321
CW12401-110	LABEL, WEIGHT PLATE, 30 LBS/ 13.6 K	323
CW12401-112	LABEL, WEIGHT PLATE, 35 LBS/ 15.9 K	325
CW12401-114	LABEL, WEIGHT PLATE, 40 LBS/ 18.2 K	327
CW12401-116	LABEL, WEIGHT PLATE, 45 LBS/ 20.5 K	329
CW12401-118	LABEL, WEIGHT PLATE, 50 LBS/ 22.7 K	331
CW12401-119	LABEL, WEIGHT PLATE, 55 LBS/ 25 KG	332
CW12401-120	LABEL, WEIGHT PLATE, 60 LBS/ 27.3 K	333
CW12401-121	LABEL, WEIGHT PLATE, 65 LBS/ 29.5 K	334
CW12401-122	LABEL, WEIGHT PLATE, 70 LBS/ 31.8 K	335
CW12401-123	LABEL, WEIGHT PLATE, 75 LBS/ 34.1 K	336
CW12401-124	LABEL, WEIGHT PLATE, 80 LBS/ 36.4 K	337
CW12401-125	LABEL, WEIGHT PLATE, 85 LBS/ 38.6 K	338
CW12401-126	LABEL, WEIGHT PLATE, 90 LBS/ 40.9 K	339
CW12401-127	LABEL, WEIGHT PLATE, 95 LBS/ 43.2 K	340
CW12401-128	LABEL, WEIGHT PLATE, 100 LBS/ 45.5	341
CW12401-152	LABEL, WEIGHT PLATE, 105 LBS/ 47.7	365
CW12401-153	LABEL, WEIGHT PLATE, 115 LBS/ 52.3	366
CW12401-154	LABEL, WEIGHT PLATE, 125 LBS/ 56.8	367
CW12537-109	NUT,INSERT,THIN-NUT,LARGE FLANGE	400
CW30126-101	LABEL,VINYL, PRECOR, 3.25 X 18.0	401
CWPF3143-211	SHROUD,SHEET,STEEL,3/32 THICK,4 BEN	402.01
CWPF3143-221	SHROUD,SHEET,STEEL,3/32 THICK,4 BEN	402.02
CWPF3143-231	SHROUD,SHEET,STEEL,3/32 THICK,4 BEN	402.03
CWPF3143-241	SHROUD,SHEET,STEEL,3/32 THICK,4 BEN	402.04
CWPF3143-251	SHROUD,SHEET,STEEL,3/32 THICK,4 BEN	402.05
CWPF3143-261	SHROUD,SHEET,STEEL,3/32 THICK,4 BEN	402.06

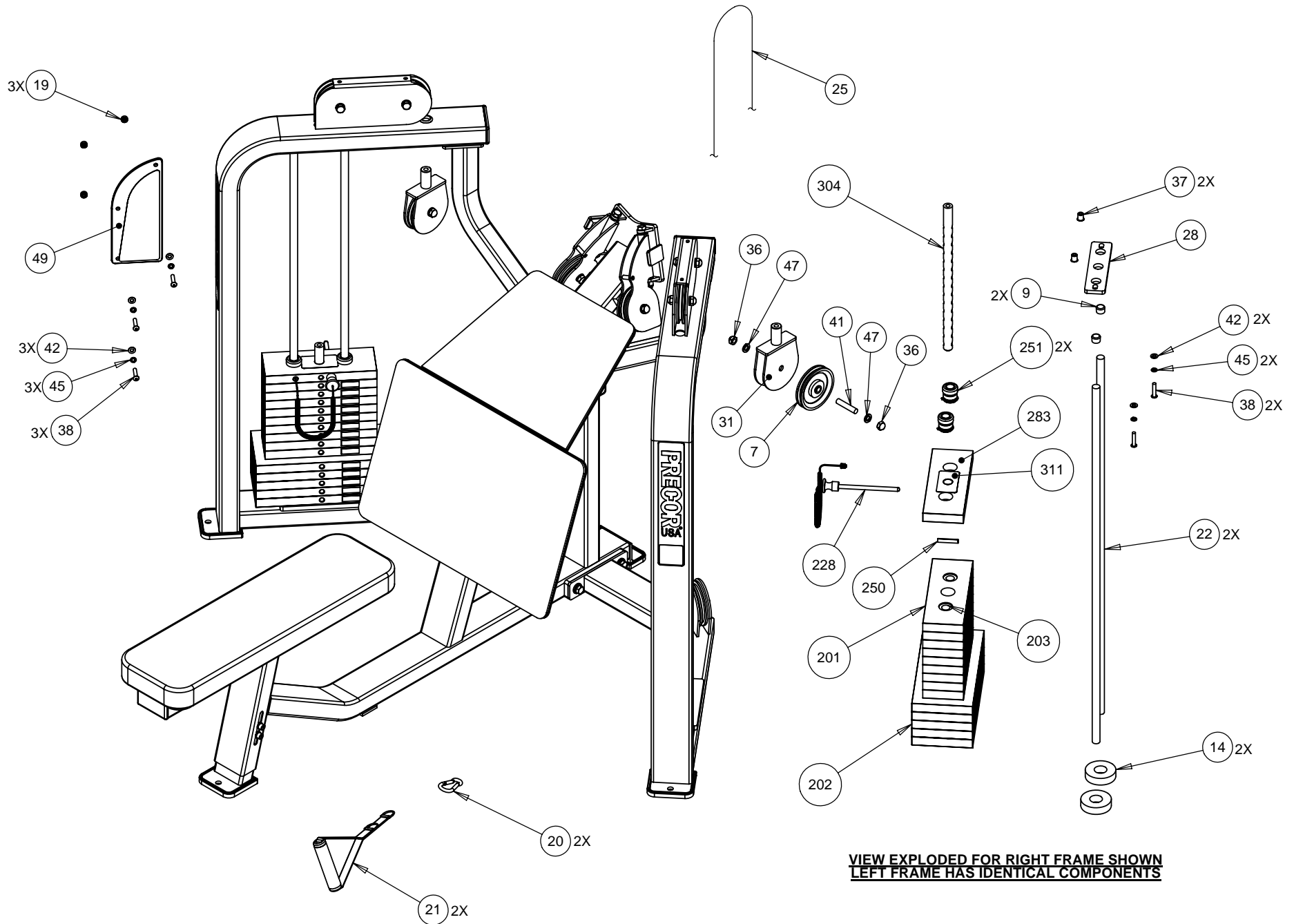
CWPF3143-271	SHROUD,SHEET,STEEL,3/32 THICK,4 BEN	402.07
CWPF3143-281	SHROUD,SHEET,STEEL,3/32 THICK,4 BEN	402.08
CWPF3143-291	SHROUD,SHEET,STEEL,3/32 THICK,4 BEN	402.09
CWPF3143-311	SHROUD,SHEET,STEEL,3/32 THICK,4 BEN	402.11
CWPF3143-321	SHROUD,SHEET,STEEL,3/32 THICK,4 BEN	402.12
CWPF3143-331	SHROUD,SHEET,STEEL,3/32 THICK,4 BEN	402.13
CWPF3143-341	SHROUD,SHEET,STEEL,3/32 THICK,4 BEN	402.14
CWPF3143-351	SHROUD,SHEET,STEEL,3/32 THICK,4 BEN	402.15
CWPF3143-361	SHROUD,SHEET,STEEL,3/32 THICK,4 BEN	402.16
CWPF3143-711	SHROUD,SHEET,STEEL,3/32 THICK,4 BEN	402.17
CWPF3144-721	SHROUD BRKT,PLATE,STEEL,1/8 THICK,1	403
CWPF3145-721	SHROUD BRKT,PLATE,STEEL,1/8 THICK,2	404
CWTAYN031-100	SCREW, BUTTON HEAD, BLK XYLAN, 5/1	405
CWWALYN031-008	WASHER, SPLIT, 5/16 ID, BL	406
CWWBKN031-007	WASHER, FLAT, TYPE A, SAE, 5/16 ID	407
CWAC1177-101	FLOOR PROTECTOR, RUBBER, 4.563 X 4.	501
CWAC1179-101	FLOOR PROTECTOR, RUBBER, 4.813 X 2.	502
CWAC1180-101	FLOOR PROTECTOR, RUBBER, 2.563 X 4.	503



FT332	P/N : CW31294-101	SUBREV : B
DRAWN BY : CT	DATE : 12.12.05	SHEET 2 OF 4



FT332	P/N : CW31294-101	SUBREV : B
DRAWN BY : CT	DATE : 12.12.05	SHEET 3 OF 4



**VIEW EXPLODED FOR RIGHT FRAME SHOWN
LEFT FRAME HAS IDENTICAL COMPONENTS**

FT332	P/N : CW31294-101	SUBREV : B
DRAWN BY : CT	DATE : 12.12.05	SHEET 4 OF 4

FT332 Functional Trainer, Row

Part Number	Description	Bubble Number
CWFT332SA1-211	ASSY,FRAME,WEIGHT STK,LT,SKY WHITE	1.01
CWFT332SA1-221	ASSY,FRAME,WEIGHT STK,LT,BLACK	1.02
CWFT332SA1-231	ASSY,FRAME,WEIGHT STK,LT,RED	1.03
CWFT332SA1-241	ASSY,FRAME,WEIGHT STK,LT,PLT SPRKL	1.04
CWFT332SA1-251	ASSY,FRAME,WEIGHT STK,LT,SILVER	1.05
CWFT332SA1-261	ASSY,FRAME,WEIGHT STK,LT,BLUE	1.06
CWFT332SA1-271	ASSY,FRAME,WEIGHT STK,LT,CHARCOAL	1.07
CWFT332SA1-281	ASSY,FRAME,WEIGHT STK,LT,CATH GRAY	1.08
CWFT332SA1-291	ASSY,FRAME,WEIGHT STK,LT,SLVR VIEN	1.09
CWFT332SA1-311	ASSY,FRAME,WEIGHT STK,LEFT,STONE HG	1.11
CWFT332SA1-321	ASSY,FRAME,WGHT STK,LT,TITANIUM HG	1.12
CWFT332SA1-331	ASSY,FRAME,WEIGHT STK,LT,WHT GLOSS	1.13
CWFT332SA1-341	ASSY,FRAME,WEIGHT STK,LT,BLK ONYX	1.14
CWFT332SA1-351	ASSY,FRAME,WEIGHT STK,LT,LT. BRONZ	1.15
CWFT332SA1-361	ASSY,FRAME,WEIGHT STK,LT,SAPPHR BL	1.16
CWFT332SA2-211	ASSY,FRAME,WEIGHT STK,RT,SKY WHITE	2.01
CWFT332SA2-221	ASSY,FRAME,WEIGHT STK,RT,BLACK	2.02
CWFT332SA2-231	ASSY,FRAME,WEIGHT STK,RT,RED	2.03
CWFT332SA2-241	ASSY,FRAME,WEIGHT STK,RT,PLT SPRKL	2.04
CWFT332SA2-251	ASSY,FRAME,WEIGHT STK,RT,SILVER	2.05
CWFT332SA2-261	ASSY,FRAME,WEIGHT STK,RT,BLUE	2.06
CWFT332SA2-271	ASSY,FRAME,WEIGHT STK,RT,CHARCOAL	2.07
CWFT332SA2-281	ASSY,FRAME,WEIGHT STK,RT,CATH GRAY	2.08
CWFT332SA2-291	ASSY,FRAME,WEIGHT STK,RT,SLVR VIEN	2.09
CWFT332SA2-311	ASSY,FRAME,WEIGHT STK,RIGHT,STONE H	2.11
CWFT332SA2-321	ASSY,FRAME,WGHT STK,RT,TITANIUM HG	2.12
CWFT332SA2-331	ASSY,FRAME,WEIGHT STK,RT,WHT GLOSS	2.13
CWFT332SA2-341	ASSY,FRAME,WEIGHT STK,RT,BLK ONYX	2.14
CWFT332SA2-351	ASSY,FRAME,WEIGHT STK,RT,LT. BRONZ	2.15
CWFT332SA2-361	ASSY,FRAME,WEIGHT STK,RT,SAPPHR BL	2.16
CWFT332SA3-211	ASSY,SEAT FT-LOW ROW,SKY WHITE	3.01
CWFT332SA3-221	ASSY,SEAT FT-LOW ROW,BLACK	3.02
CWFT332SA3-231	ASSY,SEAT FT-LOW ROW,RED	3.03
CWFT332SA3-241	ASSY,SEAT FT-LOW ROW,PLATINUM SPRKL	3.04
CWFT332SA3-251	ASSY,SEAT FT-LOW ROW,SILVER	3.05
CWFT332SA3-261	ASSY,SEAT FT-LOW ROW,BLUE	3.06
CWFT332SA3-271	ASSY,SEAT FT-LOW ROW,CHARCOAL	3.07
CWFT332SA3-281	ASSY,SEAT FT-LOW ROW,CATHEDRAL GREY	3.08
CWFT332SA3-291	ASSY,SEAT FT-LOW ROW,SILVER VIEN	3.09
CWFT332SA3-311	ASSY,SEAT FT-LOW ROW,STONE HG	3.11
CWFT332SA3-321	ASSY,SEAT FT-LOW ROW,TITANIUM HG	3.12
CWFT332SA3-331	ASSY,SEAT FT-LOW ROW,WHITE GLOSS	3.13
CWFT332SA3-341	ASSY,SEAT FT-LOW ROW,BLACK ONYX	3.14
CWFT332SA3-351	ASSY,SEAT FT-LOW ROW,LIGHT BRONZE	3.15
CWFT332SA3-361	ASSY,SEAT FT-LOW ROW,SAPPHIRE BLUE	3.16
CWAC1009-101	PULLEY, 4 1/2 DIA. X 1/2 ID	7
CW12404-101	CAP, GUIDE ROD,DIA 3/4, BLK	9
CW11311-102	ENDCAP, REC TUBE, 2X4, BLK PLASTIC	10
CW11311-103	ENDCAP, REC TUBE, 2X2, BLK PLASTIC	11

CW12626-101	GROMMET, HOLE, FLEXTEMP, OD 1.04, I	13
CW12402-101	BUMPER, WEIGHT STACK, BLK RUBBER	14
CW12575-101	MOULDED BUMPON, BLACK, 31.75MM SQ (15
CWAC1228-901	SPACER, ALU,.328 ID X .625 OD X .25	19
CW12589-741	CARBINE, HOOK, MEDIUM, 5/16" DIA, 3	20
CW30898-101	HANDLE, WEBBING 27.5", D-RING (2X)	21
CWPF1212-711	GUIDE ROD, 3/4 X 42 5/8 (#4), CHM	22
CW30013-126	CUT PIECE, CREPE, 1/4 X 17 X 26	23
CW30013-124	CUT PIECE, CREPE, 1/4 X 14 1/2 X 20	24
CWCLGG051-500	ASSY, CABLE, FT332, FT334, FT555	25
CWCLRT113-000	ASSY, CABLE, FT332	26
CWPD1103A-101	PAD,FLAT,9X31,4HOLES,BLACK	27.01
CWPD1103A-102	PAD,FLAT,9X31,4HOLES,RYL BL	27.02
CWPD1103A-103	PAD,FLAT,9X31,4HOLES,DVE GRY	27.03
CWPD1103A-104	PAD,FLAT,9X31,4HOLES,CROCUS	27.04
CWPD1103A-105	PAD,FLAT,9X31,4HOLES,GROTTO	27.05
CWPD1103A-106	PAD,FLAT,9X31,4HOLES,GRAPHITE	27.06
CWPD1103A-107	PAD,FLAT,9X31,4HOLES,RED	27.07
CWPD1103A-108	PAD,FLAT,9X31,4HOLES,CHN GRN	27.08
CWPD1103A-109	PAD,FLAT,9X31,4HOLES,TURQSE	27.09
CWPD1103A-110	PAD,FLAT,9X31,4HOLES,RASP	27.1
CWPD1103A-111	PAD,FLAT,9X31,4HOLES,PLUM	27.11
CWPD1103A-112	PAD,FLAT,9X31,4HOLES,REGIMENT	27.12
CWPD1103A-113	PAD,FLAT,9X31,4HOLES,SPC BLUE	27.13
CWPD1103A-115	PAD,FLAT,9X31,4HOLES,BLK LTHR	27.15
CWPD1103A-116	PAD,FLAT,9X31,4HOLES,NVBL LTH	27.16
CWPD1103A-117	PAD,FLAT,9X31,4HOLES,PUTTY	27.17
CWPD1103A-118	PAD,FLAT,9X31,4HOLES,IMPRL BL	27.18
CWPD1103A-119	PAD,FLAT,9X31,4HOLES,YEW GREEN	27.19
CWPD1103A-120	PAD,FLAT,9X31,4HOLES,DSTY JADE	27.2
CWPD1103A-121	PAD,FLAT,9X31,4HLS,TRRA CTTA	27.21
CWPD1103A-122	PAD,FLAT,9X31,4HOLES,PAPRIKA	27.22
CWPD1103A-123	PAD,FLAT,9X31,4HLS,ASH LTHR	27.23
CWPD1103A-124	PAD,FLAT,9X31,4HL,CERULEAN LTH	27.24
CWPD1103A-125	PAD,FLAT,9X31,4HL,CHARCOAL LTH	27.25
CWPD1103A-126	PAD,FLAT,9X31,4HLS,HUNTER LTHR	27.26
CWPD1103A-127	PAD,FLAT,9X31,4HLS,MOSS LTHR	27.27
CWPD1103A-128	PAD,FLAT,9X31,4HLS,SPICE LTHR	27.28
CWPD1103A-129	PAD,FLAT,9X31,4HLS,TOMATO LTHR	27.29
CWPF1016-731	BAR,,FLAT CR/HR, 3/8 X 2 X 8 1/4, 3	28
CW31303-721	ASSY, PIVOTING PULLEY HOUSING, WRKL	29
CWSA1117-731	ASSY,ADJ. LEVELING FOOT,BLK ZINC	30
CW31214-721	ASSY,FLOATING PULLEY HOUSING,	31
CWHCYN050-100	SCREW,HEX HEAD,BLK XYLAN,1/2-13 X 1	33
CWHCCN050-600	SCREW, HEX HEAD, ZINC, 1/2-13 X 6	34
CWKDYN050-059	LOCKNUT, NYLON INSERT, FULL, UNC, 1	35
CWKADLN050-081	NUT, ACORN, 1/2-13	36
CW12537-109	NUT,INSERT,THIN-NUT,LARGE FLANGE	37
CWTAYN031-150	SCREW, BUTTON HEAD, BLK XYLAN,5/16	38
CWTAYN031-300	SCREW, BUTTON HEAD, BLK XYLAN,5/16	39
CWCAYN038-100	SCREW, SOCKET HEAD, BLK XYLAN, 3/	40

CWBFNN050-250	STUD, 1/2-13 X 2 1/2	41
CWWBKN031-007	WASHER, FLAT, TYPE A, SAE, 5/16 ID	42
CWWBKN038-007	WASHER, FLAT, TYPE A, SAE, 3/8 ID	43
CWWBKN050-010	WASHER, FLAT, TYPE A, SAE, 1/2 ID X	44
CWWALYN031-008	WASHER, SPLIT, 5/16 ID, BL	45
CWWALYN038-009	WASHER, SPLIT, 3/8 ID, BLK XYLAN	46
CWWALYN050-013	WASHER, SPLIT, 1/2 ID, BLK XYLAN	47
CW30010-101	LABEL,WARNING STRENGTH	48
CW30157-101	ASSY, LABEL,INSTRUCTION,FT332	49
CW31756-101	LABEL, PRECOR USA ICARIAN LINE	50
CW10043-132	BUSHING, BRONZE, 1/2" ID X 3/4" OD	56
CW10510-721	ASSY, PLATE, WEIGHT, 10 LBS, WRKL B	201
CW10520-721	ASSY, PLATE, WEIGHT, 20 LBS, WRKL B	202
CWAC1133-101	BUSHING, WEIGHT PLATE, LDPE PLASTIC	203
CW30173-751	ASSY, 6.00 IN WEIGHT STACK PIN AND	228
CWLDNN038-200	PIN, ROLL, DIA 3/8 X 2	250
CW30184-901	ASSY,BARREL, TOP PLATE,ALUMINUM	251
CW10550-721	PLATE, WEIGHT, MED TOP (MTP-S), 10	283
CW10550-722	PLATE, WEIGHT, MED TOP (MTP-S), 10	283
CW30130-711	SELECTOR STEM, 15 PLATE,0 .875 DIA,	304
CW30011-101	LABEL,WARNING WEIGHT STACK	311
CW12401-102	LABEL, WEIGHT PLATE, 10 LBS/ 4.6 KG	315
CW12401-104	LABEL, WEIGHT PLATE, 15 LBS/ 6.8 KG	317
CW12401-106	LABEL, WEIGHT PLATE, 20 LBS/ 8 KG	319
CW12401-108	LABEL, WEIGHT PLATE, 25 LBS/ 11.4 K	321
CW12401-110	LABEL, WEIGHT PLATE, 30 LBS/ 13.6 K	323
CW12401-112	LABEL, WEIGHT PLATE, 35 LBS/ 15.9 K	325
CW12401-114	LABEL, WEIGHT PLATE, 40 LBS/ 18.2 K	327
CW12401-116	LABEL, WEIGHT PLATE, 45 LBS/ 20.5 K	329
CW12401-118	LABEL, WEIGHT PLATE, 50 LBS/ 22.7 K	331
CW12401-119	LABEL, WEIGHT PLATE, 55 LBS/ 25 KG	332
CW12401-120	LABEL, WEIGHT PLATE, 60 LBS/ 27.3 K	333
CW12401-121	LABEL, WEIGHT PLATE, 65 LBS/ 29.5 K	334
CW12401-122	LABEL, WEIGHT PLATE, 70 LBS/ 31.8 K	335
CW12401-123	LABEL, WEIGHT PLATE, 75 LBS/ 34.1 K	336
CW12401-124	LABEL, WEIGHT PLATE, 80 LBS/ 36.4 K	337
CW12401-125	LABEL, WEIGHT PLATE, 85 LBS/ 38.6 K	338
CW12401-126	LABEL, WEIGHT PLATE, 90 LBS/ 40.9 K	339
CW12401-127	LABEL, WEIGHT PLATE, 95 LBS/ 43.2 K	340
CW12401-128	LABEL, WEIGHT PLATE, 100 LBS/ 45.5	341
CW12401-152	LABEL, WEIGHT PLATE, 105 LBS/ 47.7	365
CW12401-153	LABEL, WEIGHT PLATE, 115 LBS/ 52.3	366
CW12401-154	LABEL, WEIGHT PLATE, 125 LBS/ 56.8	367
CW12537-109	NUT,INSERT,THIN-NUT,LARGE FLANGE	400
CW30126-101	LABEL,VINYL, PRECOR, 3.25 X 18.0	401
CWPF3143-211	SHROUD,SHEET,STEEL,3/32 THICK,4 BEN	402.01
CWPF3143-221	SHROUD,SHEET,STEEL,3/32 THICK,4 BEN	402.02
CWPF3143-231	SHROUD,SHEET,STEEL,3/32 THICK,4 BEN	402.03
CWPF3143-241	SHROUD,SHEET,STEEL,3/32 THICK,4 BEN	402.04
CWPF3143-251	SHROUD,SHEET,STEEL,3/32 THICK,4 BEN	402.05
CWPF3143-261	SHROUD,SHEET,STEEL,3/32 THICK,4 BEN	402.06

CWPF3143-271	SHROUD,SHEET,STEEL,3/32 THICK,4 BEN	402.07
CWPF3143-281	SHROUD,SHEET,STEEL,3/32 THICK,4 BEN	402.08
CWPF3143-291	SHROUD,SHEET,STEEL,3/32 THICK,4 BEN	402.09
CWPF3143-311	SHROUD,SHEET,STEEL,3/32 THICK,4 BEN	402.11
CWPF3143-321	SHROUD,SHEET,STEEL,3/32 THICK,4 BEN	402.12
CWPF3143-331	SHROUD,SHEET,STEEL,3/32 THICK,4 BEN	402.13
CWPF3143-341	SHROUD,SHEET,STEEL,3/32 THICK,4 BEN	402.14
CWPF3143-351	SHROUD,SHEET,STEEL,3/32 THICK,4 BEN	402.15
CWPF3143-361	SHROUD,SHEET,STEEL,3/32 THICK,4 BEN	402.16
CWPF3143-711	SHROUD,SHEET,STEEL,3/32 THICK,4 BEN	402.17
CWPF3144-721	SHROUD BRKT,PLATE,STEEL,1/8 THICK,1	403
CWPF3145-721	SHROUD BRKT,PLATE,STEEL,1/8 THICK,2	404
CWTAYN031-100	SCREW, BUTTON HEAD, BLK XYLAN, 5/1	405
CWWALYN031-008	WASHER, SPLIT, 5/16 ID, BL	406
CWWBKN031-007	WASHER, FLAT, TYPE A, SAE, 5/16 ID	407
CWAC1177-101	FLOOR PROTECTOR, RUBBER, 4.563 X 4.	501
CWAC1179-101	FLOOR PROTECTOR, RUBBER, 4.813 X 2.	502
CWAC1180-101	FLOOR PROTECTOR, RUBBER, 2.563 X 4.	503